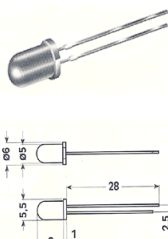


Led a luce diffusa Ø 3mm 20mA 2,1V



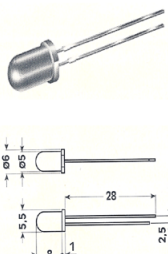
- LE3R** led rosso
lum.2mcd a 10mA
- LE3V** led verde
lum.6mcd a 10mA
- LE3G** led giallo
lum.6mcd a 10mA

Led a luce diffusa Ø 5mm
20mA ,2,1V



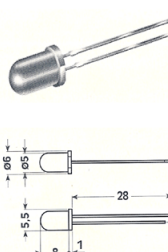
- LE5R** led rosso
lum. 3mcd 10mA
- LE5V** led verde
lum.12mcd 10mA
- LE5G** led giallo
lum.12mcd 10mA
- LE5B** led blu 5mcd

Led a intermittenza Ø 5mm
frequenza 2Hz 20mA 1,8V



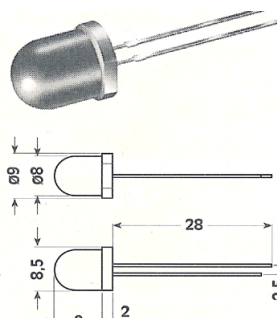
- LEI5R** led rosso
lum.4mcd a 10mA
- LEI5V** led verde
lum.3,5mcd a 10mA
- LEI5G** led giallo
lum.3,5mcd a 10mA

Led alta luminosità Ø 5mm
20mA - custodie led trasparenti



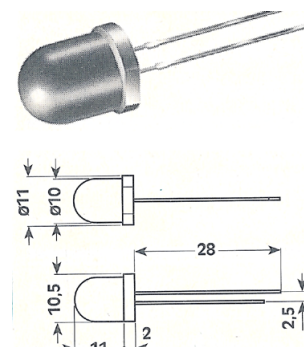
- LAL5R** led rosso
lum. 1200mcd 1,7V
- LAL5G** led giallo
lum. 500mcd 1,7V
- LAL5V** led verde
lum. 500mcd 1,7V
- LAL5B** a luce blu
lum. 600mcd 2V
- LAL5W** a luce bianca
lum 5000 mcd 3,6V

Led a luce diffusa ø 8mm.20mA 2,1V



- LE8R** led rosso
lum 6mcd a 10mA
- LE8V** led verde
lum; 9 mcd a 10mA
- LE8G** led giallo
lum. 8mcd a 10mA

Led a luce diffusa ø 10mm 20mA2,1V



- LE10R** led rosso
lum. 6mcd a 10mA
- LE10V** led verde
lum. 9mcd a 10mA
- LE10G** led giallo
lum. 8mcd a 10mA